

# Technical Data

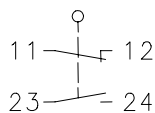
## Plastic bodied limit switch

### Series T12

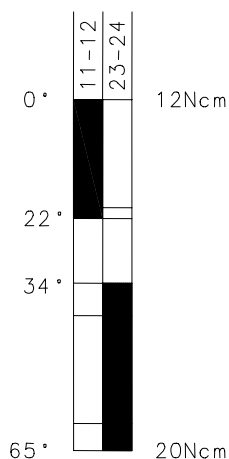
Description **T12-U1 AD 90GR VS V8**

Article number **6188137005**

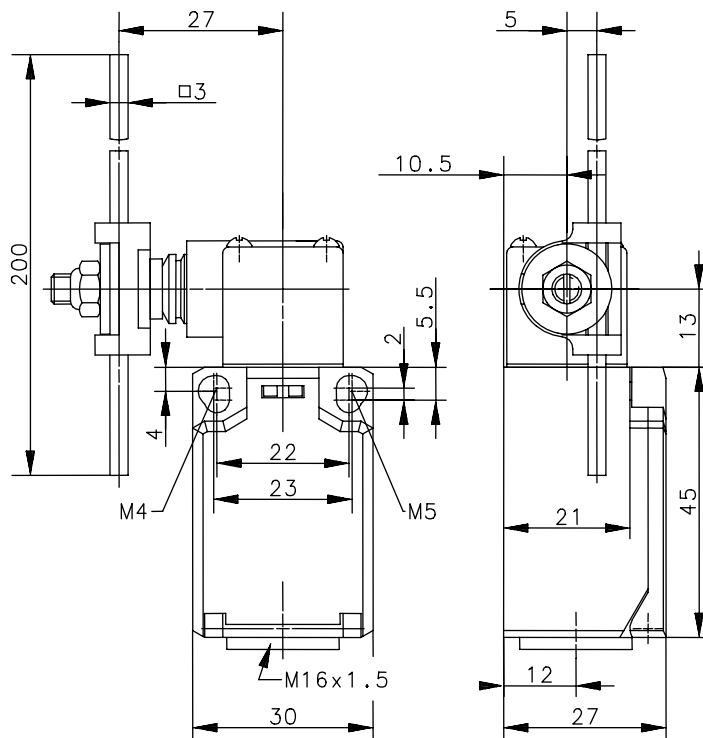
#### Operating symbol



#### Operating diagram



On  
 Off  
 Tolerance:  
 Operating point  $\pm 0,25^\circ$ ;  
 Actuating force  $\pm 10\%$



#### Electrical data

Rated insulation voltage	$U_i$	250V AC
Conv. thermal current	$I_{the}$	10A AC; 2,5A DC
Rated operational voltage	$U_e$	240V AC; 250V DC
Utilization category		AC-15, $U_e/I_e$ 240V/3A; DC-13, $U_e/I_e$ 250V/0,27A
Short-circuit protective device		Fuse 6A gL/gG
Protection class		II, totally insulated

This document will not become the contractual basis; the details included herein do not constitute any descriptions of expected conditions, so that warranties/claims for defects on account of possible variations of the actual qualities from the qualities described herein are explicitly excluded. All rights reserved. Specifications subject to change without notice!

Date of issue: 04.09.2006 / Page 1 of 2  
 Document : 6188137005\_en / Last update : 1 / 2623-06